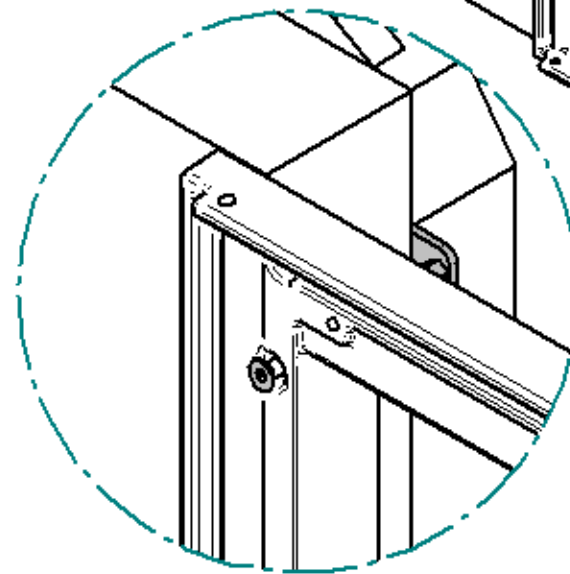
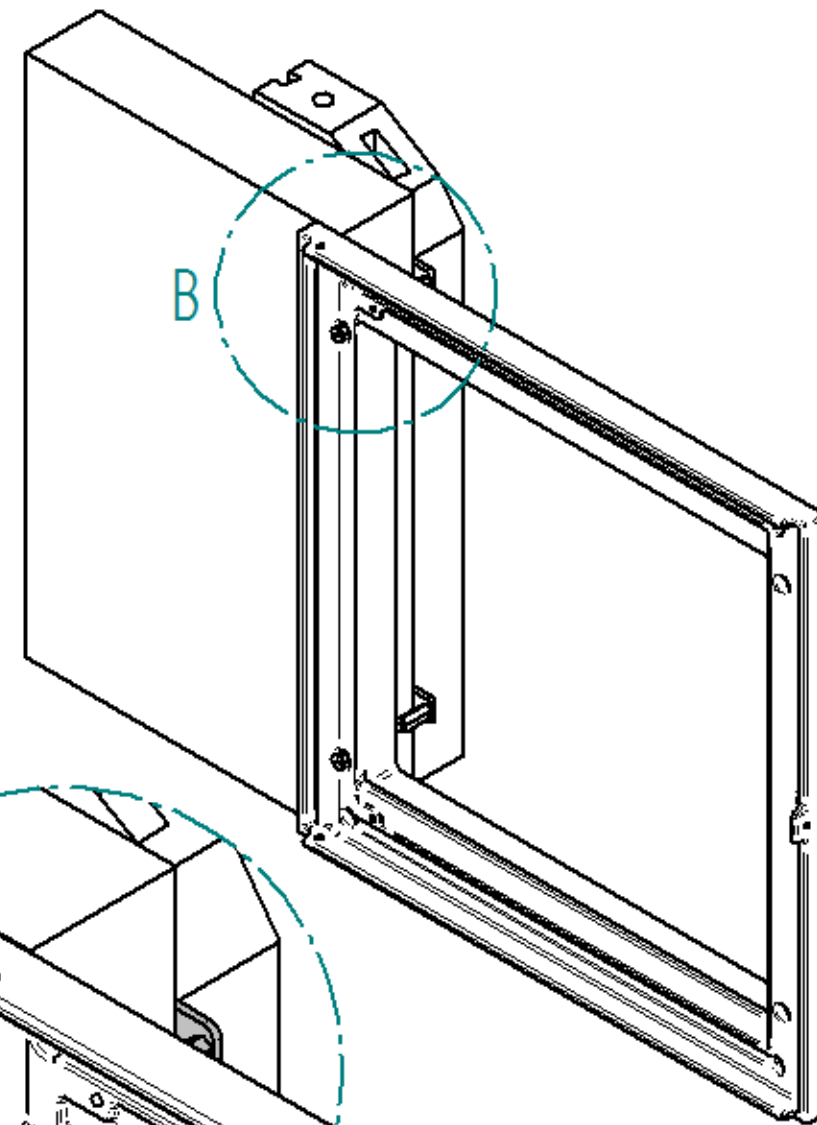


DETAIL A



DETAIL B